



3" Smart Valve Cut Sheet

Materials

Acetron GP

Stainless Steel

Aluminum (flange support – no water or pipe contact)

FDA approved internal o-rings

Certifications

NSF 61 (potable water)

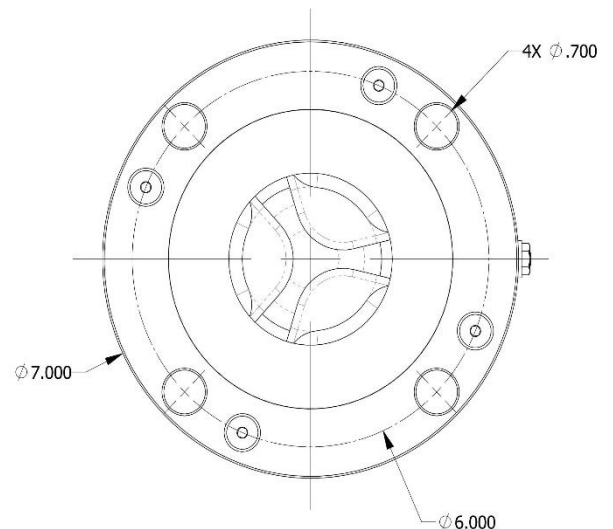
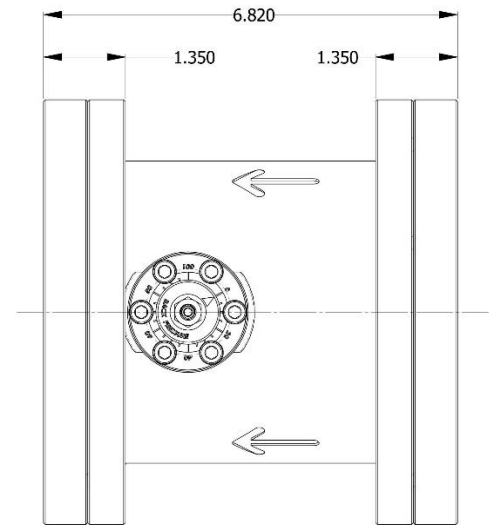
NSF 372 (lead free)

Certifying laboratory: IAPMO R&T

Installation Dimensions

3" SMART VALVE:

Body Length – Flange to Flange	6.82"
Approximate Weight	8.5 lbs
Bolt Pattern	Standard
Bolt Holes	Through Holes
Shipping Weight	10 lbs



For best results install the Smart Valve downstream of water meter and backflow preventer (if present), but before any other equipment such as a pressure reducer or booster pump. Where *possible* it is recommended (but not critical) to have 10 diameters of pipe between the water meter and the valve. All flanged installations to use gaskets at each flange.

IMPORTANT: If the pipe the Smart Valve is being installed in is used as a Ground Fault Line, The Smart Valve will NOT conduct a current through the pipe without a grounding strap. As a precaution, ALWAYS use a ground strap across the valve from pipe to pipe. Flow Dynamics, LLC shall not be held liable for a faulty installation by a third party.