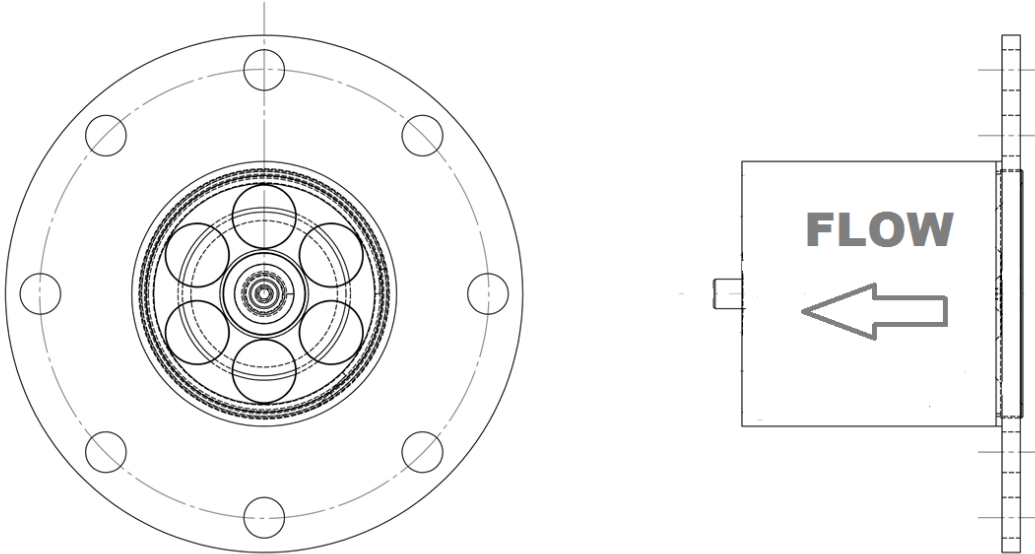




## 10" Smart Valve Cut Sheet



### Materials

Acetron GP

Stainless Steel 302/304

Rulon

### Installation Dimensions

<b>SMART VALVE:</b>	<b>10"</b>
Length	9.188
Body O.D.	9.000
Flange thickness	1.130
Bolt Pattern	Standard

For best results install the Smart Valve within 25 feet of the water meter, and before any other valves or equipment, such as a backflow preventer. Install between pipe joint flanges using 150 LB flange gaskets.